

Nominal data

Type	6318 /2 TDH4P	
Nominal voltage	VDC	48
Nominal voltage range	VDC	36 .. 72
Speed	min ⁻¹	9200
Power input	W	150
Min. ambient temperature	°C	-20
Max. ambient temperature	°C	75
Air flow	m ³ /h	930
Sound power level	B	8.4
Sound pressure level	dB(A)	75

ml = Max. load · me = Max. efficiency · fa = Running at free air · cs = Customer specs · cu = Customer unit
Subject to alterations

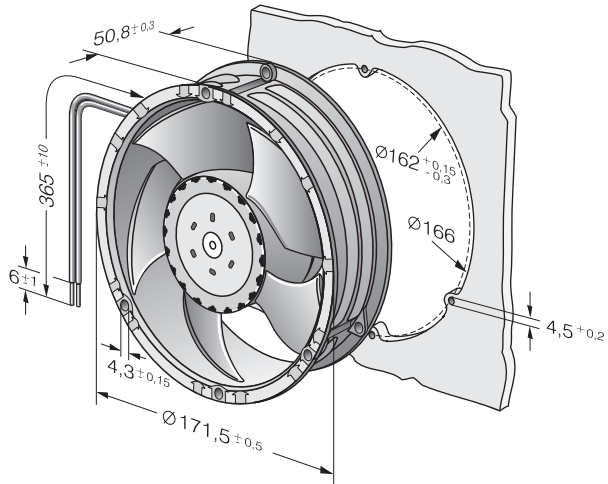
Technical features

General description	3-phase fan drive with very smooth operation and high efficiency Housing with earthing lug for bolt M4 x 8 (Torx) Free air power consumption, these values may be considerably higher at the operating point.
Mass	0.910 kg
Dimensions	172 Ø x 51 mm
Material of impeller	Fibreglass-reinforced plastic (PA)
Housing material	Die-cast aluminium
Direction of air flow	Air exhaust over bars
Direction of rotation	Counterclockwise, looking at rotor
Bearing	Ball bearings
Lifetime L10 at 40 °C	52500 h
Lifetime L10 at maximum temperature	20000 h
Connection line	Via single strands AWG 18, 20 or AWG 22, TR 64, speed signal and control input AWG 22
Motor protection	Protected against reverse polarity and locking.

6318 /2 TDH4P

DC axial compact fan

Product drawing



Charts

